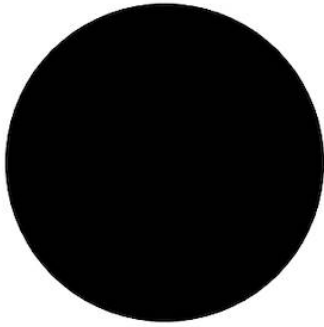


Cooker hob - Modular Induction Plate

Induction Hobs

Code: 7363 350



DETAILS

Coloring Black

Edge/Installation Type Flush-mount | Top-mount

Material Ceramic glass

Supply Single-phase: 230 V; 1P + N; Two-phase 400 V; 2P + N; 50.60 Hz

Dimensions \varnothing 350 mm

Full description Induction plate \varnothing 350 mm - black - for Modular Induction system

Heating element single zone

Total power 2.300 (3.000)* W

Power settings 9 power settings per zone + Powerboost

Safety

Safety equipment

Type

Induction Hob

Type of commands

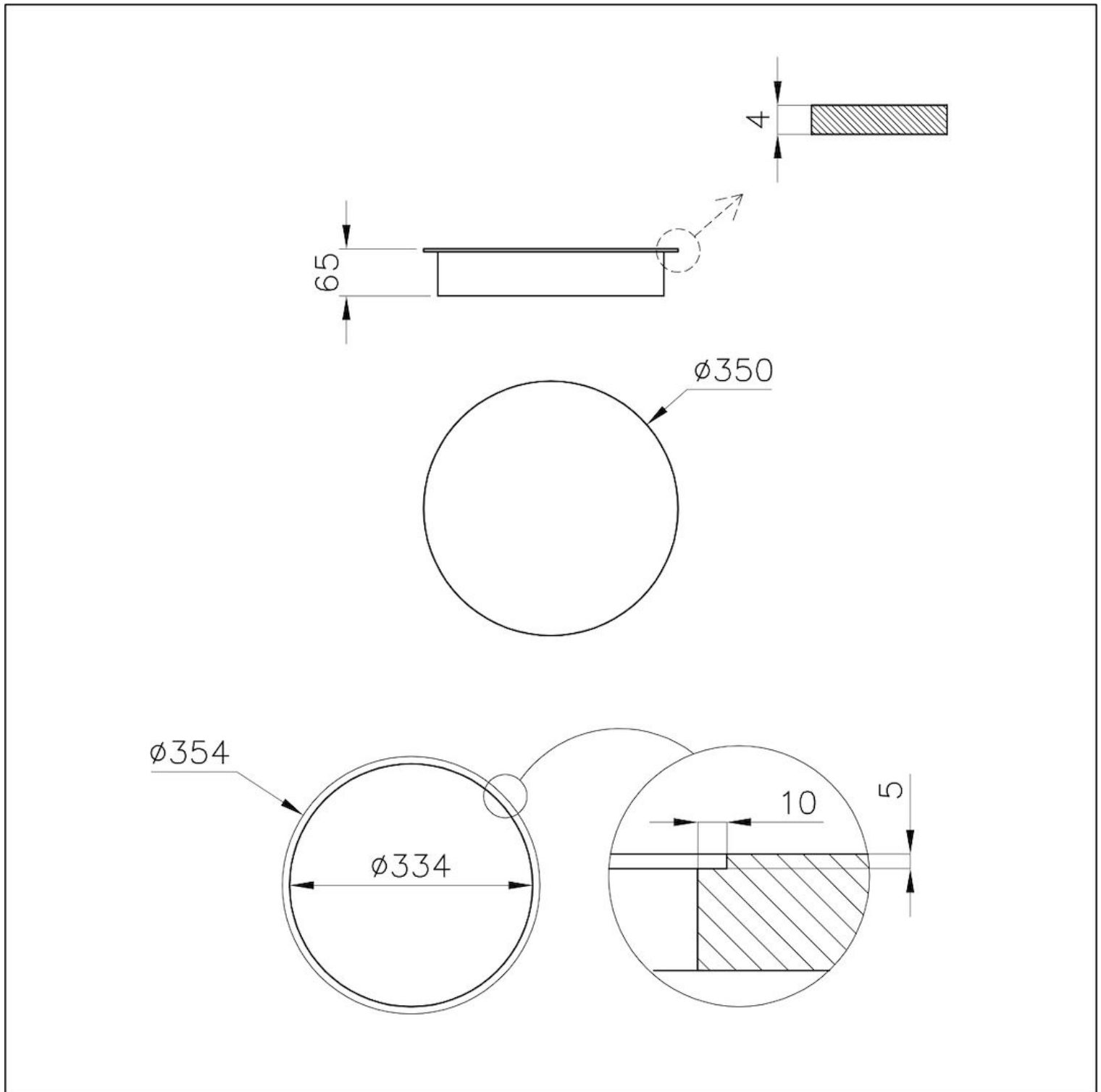
Touch Control

Notes:

* Powerboost

Notes:

TECHNICAL DATA



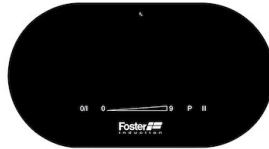
GALLERY



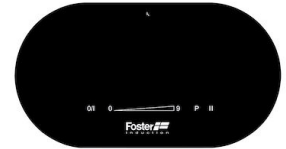
RECOMMENDED PAIRINGS



Cooker hob Touch Control Modular Induction
7368 040



Cooker hob Touch Control Modular Induction
7368 030



Cooker hob Touch Control Modular Induction
7368 020



Modular Induction - Connection Box
7369 040



Modular Induction - Connection Box
7369 030



Modular Induction - Connection Box
7369 020